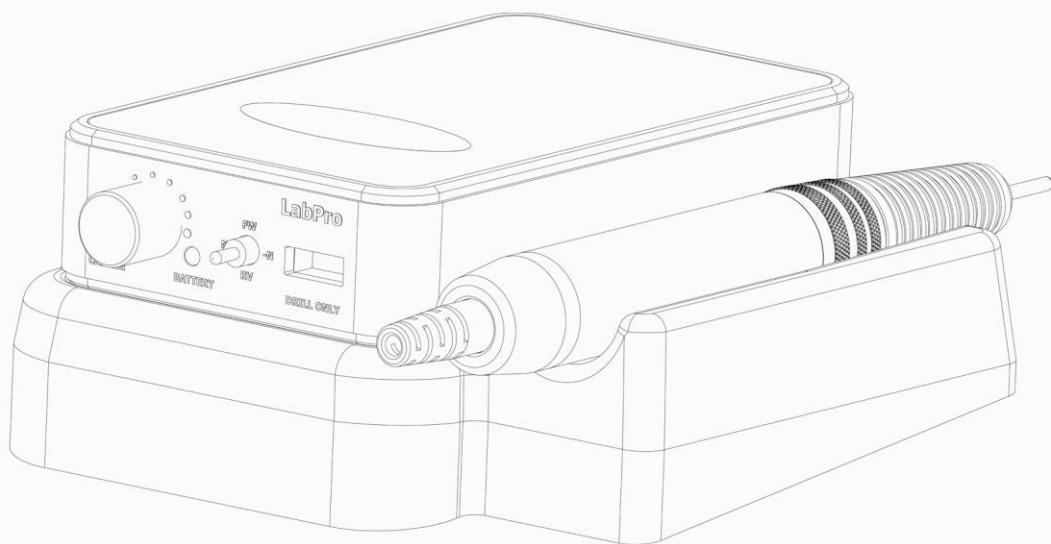


# USER'S MANUAL

READ BEFORE USING



## LabPro Dental Lab Handpiece

FOR QUESTIONS, PLEASE CONTACT LURACO AT 1-800-483-9930



The Power of American Engineering®





**Congratulations on your purchase of the new Luraco LabPro Dental Handpiece**

We are pleased that you have chosen Luraco Health & Beauty, LLC for your professional Handpiece purchase. We hope you will enjoy the quality, convenience, and excellent performance of your new LabPro. We know from experience that you will soon be telling your friends and colleagues about the quality and performance of the Luraco LabPro, and how enjoyable it is to operate.

**Please fully charge this device before the first use.**

**Customer Assistance**

For assistance with this product, please visit

[www.LuracoDental.com](http://www.LuracoDental.com) or [www.Luraco.com](http://www.Luraco.com)

Or call Luraco Health & Beauty, LLC Customer Care toll-free at

**1-800-483-9930**

To save time, please note your serial number and date of purchase before calling.

© 2021 All Right Reserved. Luraco Health & Beauty, LLC.

[www.LuracoDental.com](http://www.LuracoDental.com)



### **ATTENTION!**

This product contains a rechargeable Lithium-ion battery pack. Lithium-ion batteries have a much longer life and a higher capacity compared to regular NiCad batteries. However, care must be taken when storing and using Lithium-ion batteries and all products containing Lithium-ion batteries. For prolonged storage periods, a temperature of around 25°C or below 80°F is recommended. In addition, the batteries should be stored at a charged level of around **60%** of capacity. Always keep battery and drill controller away from wet and/or heated surfaces.

**Over-discharging Lithium-ion batteries will result in permanent battery damage. If you need to stock LabPro units for a prolonged period of time, we recommend that the LabPro controller be charged at least once every 6 months to prevent permanent damage to the Lithium-ion battery pack.**

## TABLE OF CONTENTS

Page

<b>I. Introduction</b> .....	5
<b>II. Important Safety Instructions</b> .....	5
<b>III. Operations</b> .....	6
3.1. Understanding the Handpiece Controller .....	6
3.2. Product Dimensions and Weight .....	7
3.3. Understanding the Handpiece Drill (Handpiece) .....	7
3.4. Changing the Handpiece Drill Bit .....	8
3.5. Battery Management System .....	8
3.6. Troubleshooting Guide .....	9
3.7. Product Maintenance .....	9
<b>IV. Warranty Information</b> .....	10
<b>V. Important Return Instructions</b> .....	10
<b>VI. Disclaimers</b> .....	11

## I. INTRODUCTION

**Professional LabPro Handpiece for Medical and Dental Offices by Luraco Health & Beauty, LLC.**

### INNOVATION + QUALITY + VALUE

Luraco Health & Beauty, LLC, one of the leading electronics equipment manufacturers, has successfully developed a new model of professional Handpiece to bring all aspects of novel technologies, performance, and reliability into one ingenious and comprehensive piece of equipment; **truly the best Handpiece for professionals on the market today.**

#### **Outstanding Features:**

- **True Brushless motor for long lasting performance**
- **Super high torque and smooth operation**
- **Up to 40,000 RPM (+/-10%)**
- **Long life and rechargeable Lithium-ion battery**
- **Up to 10 hours of operation without re-charging**
- **Low vibration and low noise**
- **Light weight and portable**
- **Innovative design for dental professional use**
- **Uses a standard bit  $\Phi 2.35$  mm**
- **Colet chuck type**
- **Aluminum and Stainless-Steel handpiece**
- **Seamless transition between wall and battery power**
- **Forward and reverse controls with variable speeds**
- **Smart overload protection**
- **Universal power supply (120V/220V)**
- **Designed and Made in the U.S.A. from U.S. and global components**

## II. IMPORTANT SAFETY INSTRUCTIONS

**When using electrical equipment, basic safety precautions should always be followed to reduce the risk of fire, electrical shock or injury.**

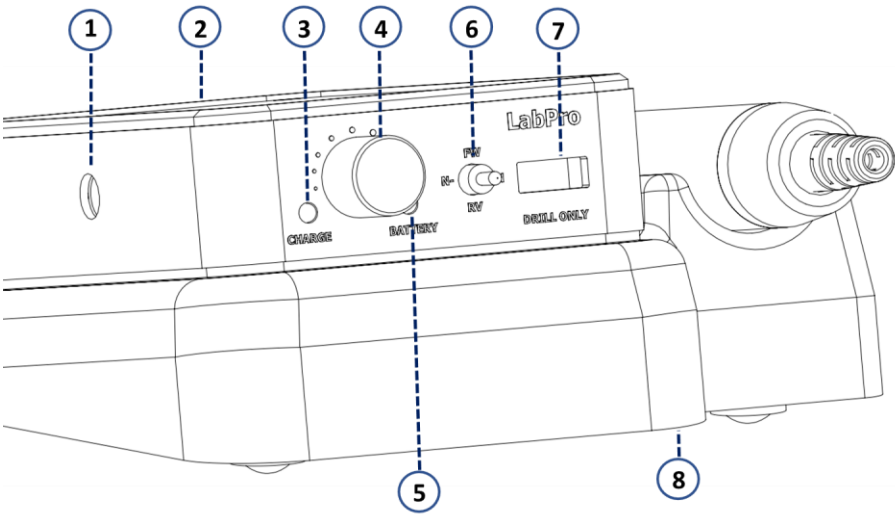
1. Read and follow all instructions before using the equipment. This equipment should not be used by children.
2. **Use only with the LabPro handpiece!**
3. **Do not disassemble or modify the unit without authorization from Luraco Health & Beauty, LLC.** Warranty will be voided if changes are made without authorization.
4. Keep power cord and controller away from wet or hot surfaces.
5. Lock the chuck before using the handpiece to avoid product malfunction.
6. Do not touch the handpiece connector with wet hands.
7. Make sure the handpiece has completely stopped before putting it down.

8. Always turn off and unplug power to the equipment before servicing.
9. Do not insert any object into any openings and **avoid dropping the equipment**. In the event of the handpiece being dropped, check to make sure the bit is not bent and the unit does not overheat.
10. Never operate this equipment with a damaged cord or plug. If it is not working properly, if it is dropped or damaged, or dropped into water, return the equipment to a service center for examination and repair.
11. Wear proper protective clothes and equipment, including a dust mask and safety goggles. Keep the workplace clean.

*After reading this user's guide, if you have any questions or comments, please call 1-800-483-9930 or contact our technical support department at [support@Luraco.com](mailto:support@Luraco.com) or visit our website at [www.luraco.com](http://www.luraco.com) for more information.*

### III. OPERATIONS

#### 3.1. Understanding the Handpiece controller



***The Side and Front View of Handpiece Controller***

1	Power Connector	When the power cord is plugged in, the unit will charge automatically. <b>Use only with Luraco 11.5V Charger.</b>
2	Handpiece Controller	The drill controller is the heart of the system and houses the control electronics and the battery.
3	Charge LED Indicator	Blue light indicates the controller is being charged.
		Off - The unit is not receiving external power.
4	Power Switch & Speed Control	Turn the knob clockwise to turn on the unit and increase the speed. Turn the knob counterclockwise to decrease the speed.
		Turn the knob counter-clockwise to the end to turn off the unit.
5	Battery LED Indicator	Green – Battery is good.
		Flashing Green – Automatic shut down in 15 minutes.
		Flashing red and green – Controller shuts down due to drill overload current.
		Flashing red – Battery is almost depleted.
		Solid red – Battery is severely depleted and must be recharged.
6	Handpiece Direction Switch	Up (Forward) the spindle will rotate in the forward direction.
		Down (Reverse) the spindle will rotate in the reverse direction.
7	Handpiece Connector	Where the handpiece connects/disconnects. <b>Use only with the Luraco LabPro handpiece</b>
8	Base Stand	Magnetic base stand for controller and handpiece

### 3.2. Product Dimensions and Weight

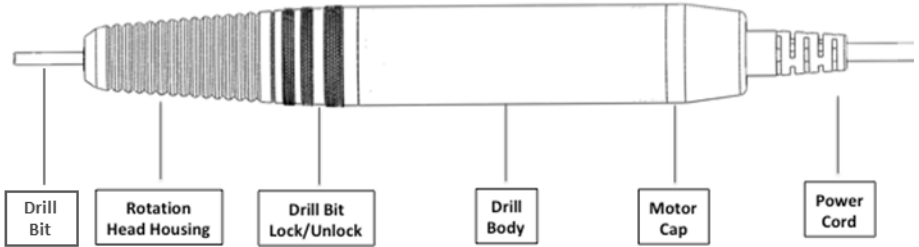
**Controller:** 12.8 cm \* 7.7 cm \* 2.7 cm

**Handpiece:** 14 cm

**Drill Bit:**  $\Phi$ 2.35 mm


(Use a standard drill bit with 2.35mm diameter)

### 3.3. Understanding the Handpiece




Parts Description

### 3.4. Changing The Drill Bit

Step 1) **Release** the drill bit by turning the lock clockwise so that the dot is aligned with the symbol  as shown below.



Step 2) **Change** the drill bit.

Step 3) **Lock** the handpiece bit by turning the lock counterclockwise so that the dot is aligned with the symbol  as shown below.



- To avoid product malfunction, always lock the handpiece chuck/lock before using.
- Always check the bit for any damages.



### 3.5 Battery Management System

Luraco LabPro has an onboard battery monitoring system that will monitor the Lithium-ion battery while the drill is in operation. In the event that the battery is completely depleted, simply plug the power cord into the power connector on the control unit and continue your work. It charges automatically while in use.

Battery Indicator Status	
Green Light	The battery is in the optimal range
Flashing Green	Flashing Green – Automatic shut down in 15 minutes.
Flashing Red	The battery is running low and will only provide about 1 more hour of use
Solid Red Light	The battery is critically low and should be recharged immediately
Flashing Red and Green Light	Controller shuts down due to drill overload current

### 3.6 Troubleshooting Guide

Issues	Troubleshooting	Diagnosis/Solution
Handpiece does not work	Connect to the charger	Working now: Battery was low
		Not working: Check the controller or handpiece
No charging blue light when connected to the charger	Verify that the charger is plugged in properly	Make sure to use only the <b>Luraco 11.5V charger</b>
Battery low warning comes on too often	Let the unit charge overnight	The battery is approaching its end of life. Call Luraco Customer Service to purchase a replacement battery

### 3.7 Product Maintenance

- Keep the area around the handpiece clean from dust and grindings.
- Remove dust on handpiece, wiping with isopropyl alcohol and avoid all liquids from penetrating into internal parts.
- Do not clean with water.
- **Do not apply oil** to the product. The grease inside the bearing could melt due to oil.
- Air cleaning is acceptable but do not use high air pressure.

## IV. WARRANTY INFORMATION

Luraco Health & Beauty, LLC is dedicated to offering our valued customers the best buying experience available. As part of this commitment, the company works very hard to provide customers with the best warranty plan available. We guarantee that defective LabPro units, due to manufacturing faults, will be repaired or replaced during the effective warranty period.

### ONE (1) YEAR LIMITED WARRANTY

1. This Warranty applies only to the original purchaser of this product for one (1) year from date of purchase.
2. This Warranty applies only to the repair or replacement of any supplied or manufactured parts of this product. **The warranty does not cover dropped or abused units**, wrong installations, inappropriate maintenance or repairs, and normal wear and tear of bearings, spindle, gear, and rotator.
3. Unless stipulated by law, Luraco Health & Beauty, LLC shall not be liable for any personal injury, property damages or any incidental or consequential damages of any kind resulting from malfunctions, defects, misuse, improper installation or alteration of this product.

### The following conditions may void the warranty

- Dropping or excessive shock to the handpiece or control box
- Submerging the handpiece or control box in any liquids
- Inserting bent or damaged bits into the handpiece
- Servicing or disassembling handpiece or control box by any person other than authorized factory technicians.

## V. IMPORTANT RETURN INSTRUCTION

If the need arises for return or repair, the following steps must be followed:

1. **Contact Luraco Customer Service/Tech Support at 800-483-9930** to get a case number.
2. Carefully pack the item in its original carton or other suitable container to avoid damage during shipping.
3. Before packing your unit, make sure to include the following information with your return:
  - a. **Your name with full shipping address and telephone number**
  - b. A dated receipt for **PROOF OF PURCHASE**
  - c. The **case number** that will be given in Step 1

Attach documentation detailing the problem you are having with your device. All shipping costs must be prepaid by the sender.

## VI. DISCLAIMERS

**Limited warranty and liability:** Information in this document is believed to be accurate and reliable. However, Luraco Health & Beauty, LLC does not give any representations or warranties, expressed or implied, as to the accuracy or completeness of such information and shall have no liability for the consequences of use of such information.

In no event shall Luraco Health & Beauty, LLC be liable for any indirect, incidental, punitive, special or consequential damages (including - without limitation - lost profits, lost savings, business interruption, costs related to the removal or replacement of any products or rework charges) whether or not such damages are based on tort (including negligence), warranty, breach of contract or any other legal theory.

**Right to make changes:** Luraco Health & Beauty, LLC reserves the right to make changes to this product or information published in this document, including without limitation specifications and product descriptions, at any time and without notice. This document supersedes and replaces all information supplied prior to the publication hereof.

© 2021 All Right Reserved. Luraco Health & Beauty, LLC.

[www.LuracoDental.com](http://www.LuracoDental.com)



**LURACO HEALTH & BEAUTY, LLC**

**1140 107TH STREET**

**ARLINGTON, TX 76011, USA.**

**TEL: 817-633-1080**

**1-800-483-9930**

**FAX: 817-633-1085**

**WWW.LURACODENTAL.COM**

**PLEASE READ AND SAVE THIS IMPORTANT USER'S MANUAL**

© 2021 All Right Reserved, Luraco Health & Beauty, LLC.