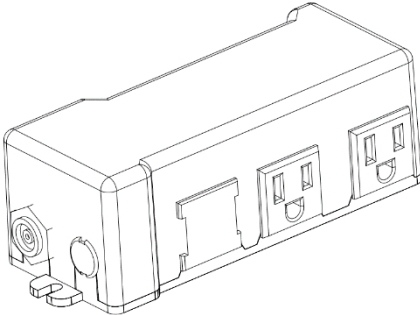


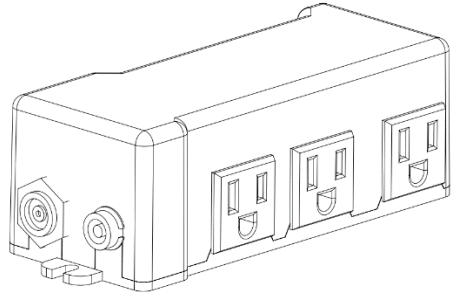
# USER'S MANUAL



## Low Cost Spa Controller (PEDICURE SPA POWER BOX)



**LOW COST SPA CONTROLLER  
WITHOUT TIMER**



**LOW COST SPA CONTROLLER  
WITH TIMER**

**When using electrical equipment, basic safety precautions should always be followed to reduce the risk of fire, electric shock, and injury to persons, including the following:**

1. Read and follow all instructions before using the equipment.
2. Do not place power cord in heavy traffic area. To avoid fire hazard, NEVER put the cord under rugs or near heat generating devices.
3. Always turn off the equipment before servicing.
4. Do not drop or insert any object into any opening.
5. Do not operate equipment if there are any damaged parts
6. Any other use not recommended by the manufacturer may cause electrical shock or injury.
7. Do not use outdoors.
8. Do not attempt to repair or adjust any electrical or mechanical functions on this unit. Doing so will void the warranty.

*After reading this owner's guide, if you have any questions or comments, please call 1-817-633-1080 or contact our technical support department at [support@luraco.com](mailto:support@luraco.com) or visit our website at [www.luraco.com](http://www.luraco.com) for more information*



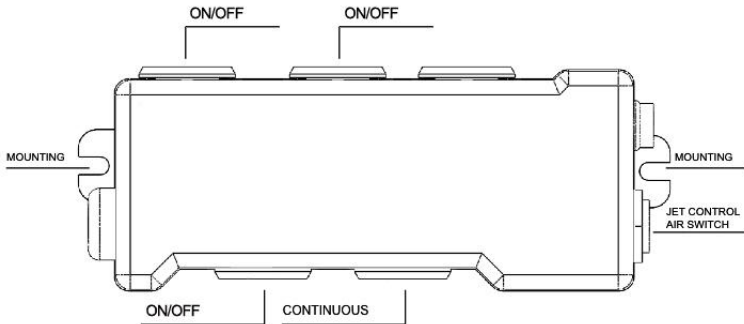
**LURACO TECHNOLOGIES**

**THANK YOU FOR SUPPORTING USA PRODUCTS & AMERICAN WORKERS**

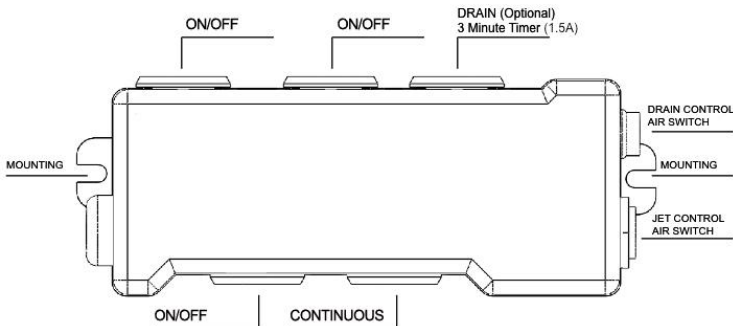
## FEATURES - OPERATIONS

### Low Cost Spa Controller Features

- Low cost
- Compact design
- Without Timer
  - 3 ON/OFF Switches
  - 1 Continuous Outlet
- With Timer
  - 3 On/Off Switches
  - 1 Continuous Outlet
  - 1 Discharge pump control with 3-minute timer



**Fig. 1a: Low Cost Spa Controller Without Timer**



**Fig. 1b: Low Cost Spa Controller With Timer**

### Installation and Operation

I) **Mounting:** The controller is mounted via 2 slots shown in Fig. 1.

II) **Pressure Switch Connection**

Ports (Drain control and JET control air switches) are connected to air buttons via flexible plastic tubes with recommended ID of 3.0mm and OD of 6.5mm.

LURACO's air button as shown in Fig. 2 below is recommended.

- High quality
- Excellent pressure holding

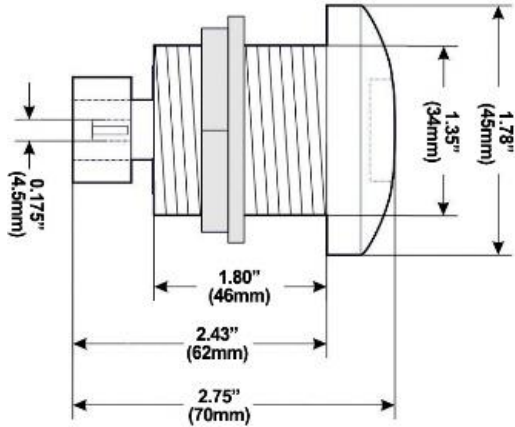


Fig. 2 LURACO's Air Button

### III) How to operate

- Pressing the JET air switch button will turn the Jet and colorlight On/Off
- Pressing the Drain air switch button will turn On the drain pump for 3 minutes

## WARRANTY INFORMATION

### ONE (1) YEAR LIMITED WARRANTY

1. This Warranty applies only to the original purchaser of this product.
2. This Warranty applies ONLY to repair or replacement of any supplied or manufactured parts of this product. The warranty does not cover normal wear, coating, dropped or abused units.
3. Unless otherwise proscribed by law, LURACO shall not be liable for any personal injury, property or any incidental or consequential damages of any kind resulting from malfunctions, defects, misuse, improper installation or alteration of this product.

**Attention: Any modification to the product will void the warranty**

### Important Instructions

If you need to send a unit to Luraco for repair, please follow the steps below.

1. A return must be coordinated with the store where the product was purchased for return authorization from Luraco Health & Beauty.
2. Carefully pack the item in its original carton, if available, or other suitable box to avoid damage in shipping.
3. Before packing your unit; be sure to enclose:
  - Your name with full shipping address and telephone number
  - A dated receipt to show PROOF OF PURCHASE
  - A note detailing the issues you are having with the unit.

## Disclaimers

Limited warranty and liability — Information in this document is believed to be accurate and reliable. However, LURACO Health & Beauty, LLC does not give any representations or warranties, expressed or implied, as to the accuracy or completeness of such information and shall have no liability for the consequences of use of such information.

In no event shall LURACO Health & Beauty, LLC be liable for any indirect, incidental, punitive, special or consequential damages (including - without limitation - lost profits, lost savings, business interruption, costs related to the removal or replacement of any products or rework charges) whether or not such damages are based on tort (including negligence), warranty, breach of contract or any other legal theory.

Notwithstanding any damages that the customer might incur for any reason whatsoever, LURACO Health & Beauty, LLC's aggregate and cumulative liability towards the customer for the products described herein shall be limited in accordance with the Terms and Conditions of commercial sale of LURACO Health & Beauty, LLC.

Right to make changes — LURACO Health & Beauty, LLC reserves the right to make changes to the product and information published in this document, including without limitation specifications and product descriptions, at any time and without notice. This document supersedes and replaces all information supplied prior to the publication hereof.

Suitability for use — LURACO Health & Beauty, LLC products are not designed, authorized or warranted to be suitable for use in life support, life-critical or safety-critical systems or equipment, nor in applications where failure or malfunction of an LURACO Health & Beauty, LLC product can reasonably be expected to result in personal injury, death or severe property or environmental damage.

**THANK YOU FOR BUYING LURACO HEALTH & BEAUTY PRODUCTS**



**LURACO HEALTH & BEAUTY, LLC**

**1140 107<sup>TH</sup> STREET**

**ARLINGTON, TX 76011**

**TEL: +1-817-633-1080**

**FAX: +1-817-633-1085**

**[WWW.LURACO.COM](http://WWW.LURACO.COM)**

**05/2021**