



iMD (Intelligent Medical Drill)

(Model: L1201A)



RELIABLE and WORRY FREE



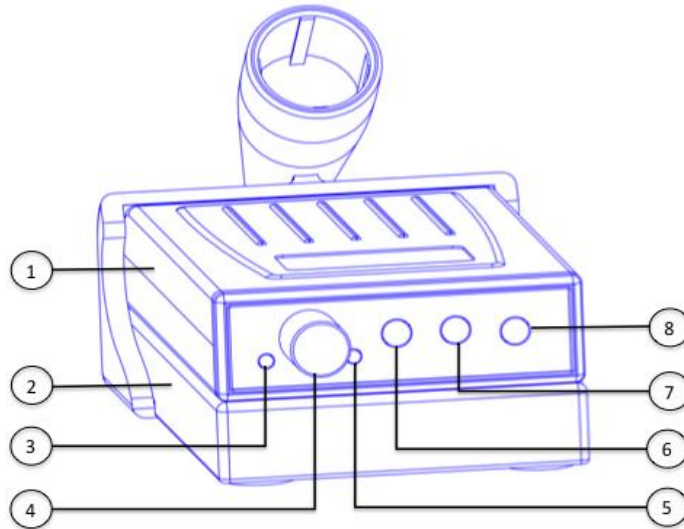
When using electrical equipment, basic safety precautions should always be followed to reduce the risk of fire, electric shock, and injury to persons, including the following:

1. Read and follow all instructions before using the equipment
2. Keep the cord out of heavy traffic area. To avoid fire hazard NEVER put the cord under rugs, near heat generating devices
3. Always turn off the equipment before servicing
4. Do not drop or insert any object into any openings
5. Do not operate any equipment with a damaged parts
6. Any other use not recommended by the manufacturer may electrical shock or injury to persons
7. Never use outdoors
8. Do not attempt to repair or adjust any electrical or mechanical functions on this unit. Doing so will void the warranty.

After reading this owner's guide, if you have any questions or comments, please call +1-817-633-1080 or contact our technical support department at support@luraco.com or visit our website at www.luraco.com for more information

Outstanding Features

- Rechargeable Lithium Ion Battery
- Light weight and portable
- Seamless transition between wall and battery power
- Forward and Reverse control with variable speed
- Up to 10 hours of battery life
- Smart overload protection
- Automatic smart charging station
- Universal Power supply (120V/220V)
- Designed and assembled in the USA



Understanding the Control Unit

| | | |
|---|------------------|--|
| 1 | Drill Control | The Drill Control is the heart of the system and houses the controls and the battery |
| 2 | Charging Base | When the Drill Control is placed on the Charging Base power will switch from battery to wall and the unit will charge |
| 3 | Charge Indicator | Illuminated- Indicates the Drill Control is on the Charging Base and receiving wall power Off- The unit is not receiving external power |
| 4 | Speed Control | Turning the knob to the right increases speed Turning the knob to the left decreases speed |
| 5 | Power Indicator | Off – battery has either plenty of power or is completely depleted Flashing – battery is almost depleted and needs to be returned to the Charge Base Solid – battery is severely depleted and must be returned to the Charging Base or will be completely depleted |
| 6 | On/Off Switch | Up (ON) position the drill will be supplied power and the Battery Monitor will be engaged. Down (OFF) position the power will be cut off to the unit. |
| 7 | Direction Switch | Up (Forward) the spindle will rotate in the forward direction Down (Reverse) the spindle will rotate in the reverse direction |
| 8 | Drill Connector | Drill connects/disconnects |

Dimensions and Weight

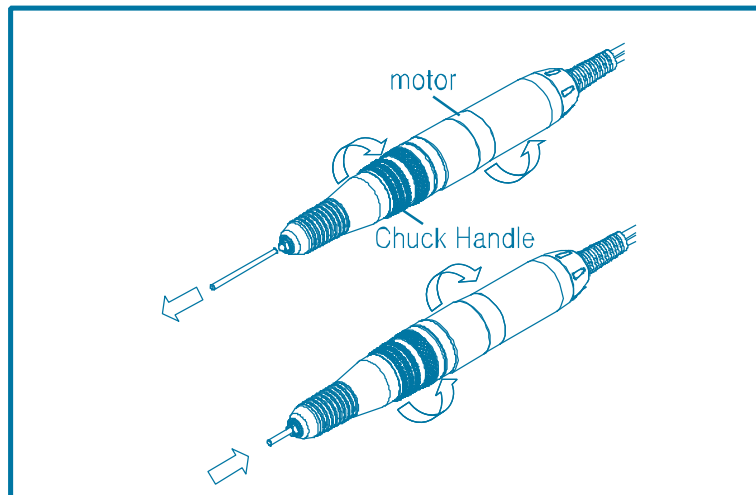
Drill Control – 5.25in x 3in x 1in & 0.7lbs
Hand Piece – 5.25in x 0.85in & 0.4lbs



Hand-Piece Models

- Swiss Made Motor
- Speeds in excess of 20,000 RPM
- Compact and lightweight design
- Made from aluminum and stainless steel
- No vibration and low noise
- Designed for daily use by professionals

Changing the Drill Bit



1. Turn the switch to the Off (Down) position
2. Rotate the chuck handle clockwise towards the “R” until you hear a click
3. Remove the current bit and insert a new one
4. Rotate the chuck handle counter clockwise– towards the “S” until it stops
5. Turn the switch to the On (UP) position and continue working

Battery Management System

The iMD (Intelligent Medical Drill) has an onboard battery monitoring system that will monitor the Lithium-Ion battery while the drill is operational. In the event that the battery is completely depleted, simply place it on the charging cradle and continue working. It will charge while you are using it.

| Charge Indicator Status | |
|-------------------------|---|
| No light | The battery is in the optimal range |
| Blinking Light | The battery is running low and will only provide about 1 more hour of use |
| Solid Light | The battery is critically low and should be returned to the cradle |

| Trouble Shooting Guide | | |
|--|---------------------------------------|---|
| Issue | Test | Solution |
| Drill not working | Place on charger | Working now: Battery was depleted |
| | | Not working: Please call customer service |
| No charging light when on base | Verify that the charger is plugged in | Call customer service |
| Battery low warning come on very quickly | Let the unit charge overnight | The battery is approaching its end of life, call customer service to purchase a replacement |

One (1) YEAR LIMITED WARRANTY

1. This Warranty applies only to the original purchaser of this product.
2. This Warranty applies only to repair or replacement of any supplied or manufactured parts of this product. The warranty does not cover worn, dropped, or abused unit.
3. Unless otherwise proscribed by law, LURACO shall not be liable for any personal injury, property or any incidental or consequential damages of any kind resulting from malfunctions, defects, misuse, improper installation or alteration of this product.

Important Instructions

If you need to send a unit to us for service, please follow the steps below.

1. Carefully pack the item in its original carton or other suitable box to avoid damage in shipping.
2. Before packing your unit, be sure to enclose:
 - Your name with full shipping address and telephone number
 - A dated receipt to PROOF OF PURCHASE
 - Attach a paper with detail the problem you are having

Disclaimers

Limited warranty and liability — Information in this document is believed to be accurate and reliable. However, LURACO Technologies does not give any representations or warranties, expressed or implied, as to the accuracy or completeness of such information and shall have no liability for the consequences of use of such information.

In no event shall LURACO Technologies be liable for any indirect, incidental, punitive, special or consequential damages (including - without limitation - lost profits, lost savings, business interruption, costs related to the removal or replacement of any products or rework charges) whether or not such damages are based on tort (including negligence), warranty, breach of contract or any other legal theory.

Notwithstanding any damages that customer might incur for any reason whatsoever, LURACO Technologies’ aggregate and cumulative liability towards customer for the products described herein shall be limited in accordance with the Terms and conditions of commercial sale of LURACO Technologies.

Right to make changes — LURACO Technologies reserves the right to make changes to the product and information published in this document, including without limitation specifications and product descriptions, at any time and without notice. This document supersedes and replaces all information supplied prior to the publication hereof.

THANK YOU FOR BUYING LURACO TECHNOLOGIES’ PRODUCTS

LURACO TECHNOLOGIES, INC.
1132 107TH STREET, ARLINGTON, TX 76011
TEL: +1-817-633-1080, FAX: +1-817-633-1085
WWW.LURACO.COM

